



AP-C33WP

Main Unit, Positive-pressure Type, 1 Mpa, PNP



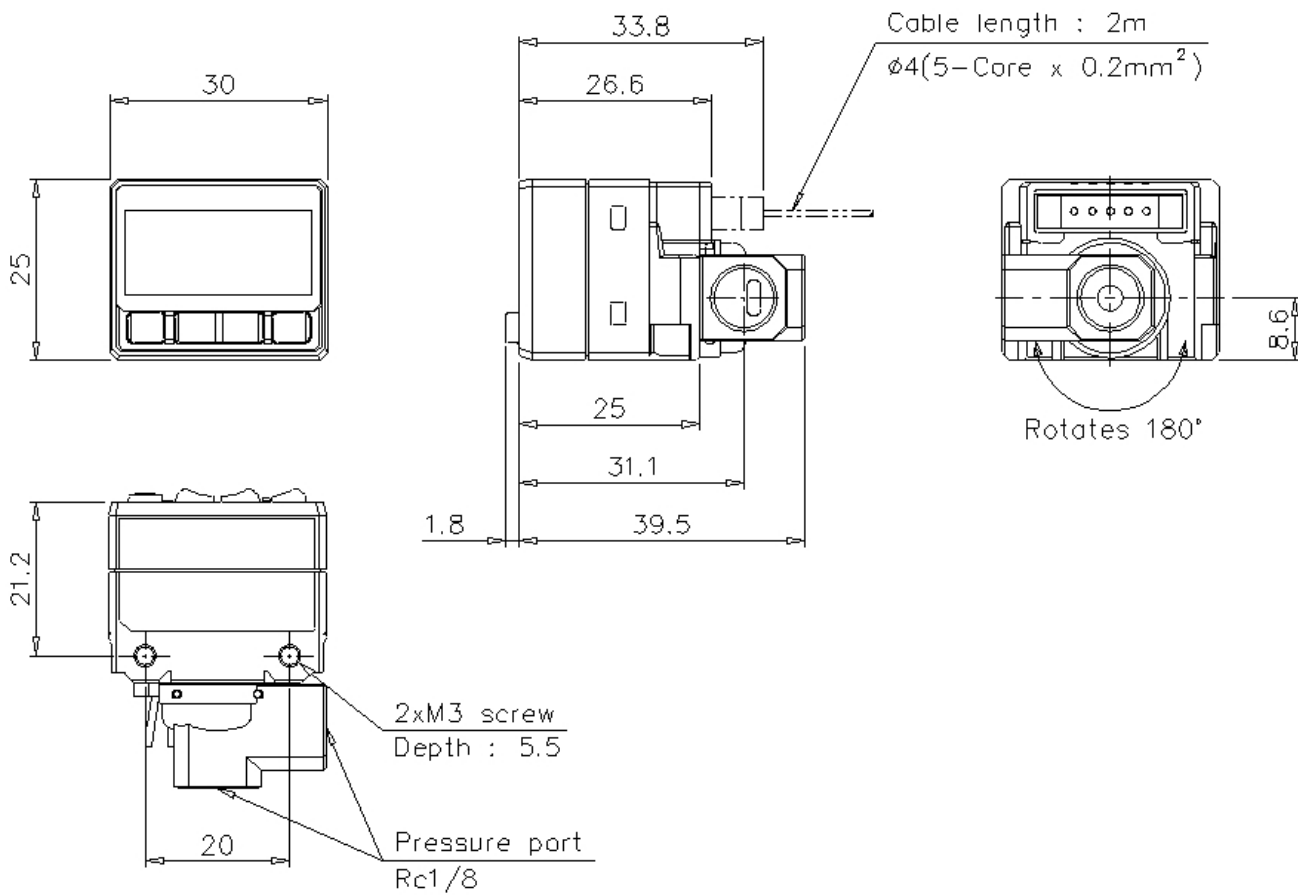
SPECIFICATIONS

Model		AP-C33WP
Type		Positive pressure
Rated pressure		0 to +1.000 MPa
Fluid type		Air or non-corrosive gases
Type of pressure		Gauge pressure
Display		3 1/2-digit, 2-color, 7-segment LED (Character height: 11 mm), Display cycle: 10 times/s
Operation indicator		Red LED x 2 (corresponding to control output 1 and 2)
Power consumption	Normal	12 V: 720 mW (60 mA) or less, 24 V: 960 mW (40 mA) or less ^{*1}
Display resolution		Normal mode: 0.001 MPa, Focus mode: 0.1 kPa
Display temperature characteristic		±1 % of F.S. max.
Hysteresis		Variable (Standard: 0.5 % of F.S.) ^{*2}
Response time (Chattering prevention function)		2.5, 5, 100, or 500 ms (selectable)
I/O	Analogue output	1 to 5 V with load impedance of 1 kΩ max. (or zero-shift input selectable)
	Zero-shift input	Input time: 2 ms or more. (or analog output selectable)
	Control output	PNP open collector 100 mA max. (at 30 V or below) with max. residual voltage of 1 V, 2 outputs (NO or NC selectable)
Pressure port		Rc (PT) 1/8 180 ° rotation
Rating	Power voltage	12 to 24 VDC ±10 %, Ripple (P-P) 10 % or less
	Power consumption	Eco mode 12 V: 480 mW (40 mA) or less, 24 V: 720 mW (30 mA) or less ^{*1}
Environmental resistance	Pressure resistance	1.5 MPa
	Ambient temperature	0 to +50 °C (No freezing)
	Relative humidity	35 to 85 % RH (No condensation)
	Vibration resistance	10 to 55 Hz, Double amplitude 1.5 mm, 2 hours in each of the X, Y, and Z directions
Material		Front housing: Polysulfone, Rear housing: PBT, Front seat: Polycarbonate, Pressure port: Zinc die-casting
Accessories		Power supply cord (2-m with connector), Unit seal
Weight		Approx. 30 g (without cable) /Approx. 85 g (with 2-m cable)
^{*1} Excluding the current for analog output Including the current for the sensor head		
^{*2} A standard of 0.2 % of FS applies while in focus mode.		

Dimensions

* Download CAD file or product manual for larger image/text and more detail.

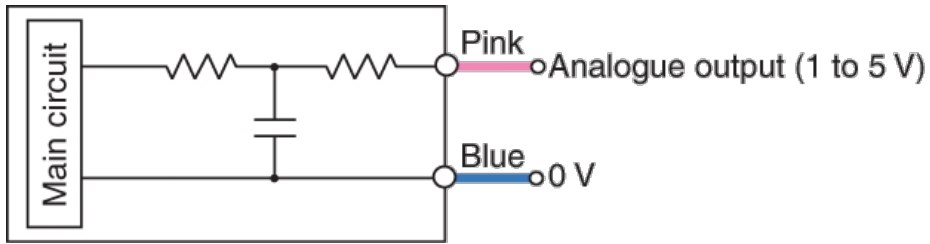
AP-C30/C31/C33



I/O Circuit Connection diagram

* Download CAD file or product manual for larger image/text and more detail.

Analogue output circuit



PNP

