

BALDOR® • RELIANCE 

Paquete de información de producto

BSM63N-375RF

BSM63N-375RF

T'STAT ENCODER

Specs

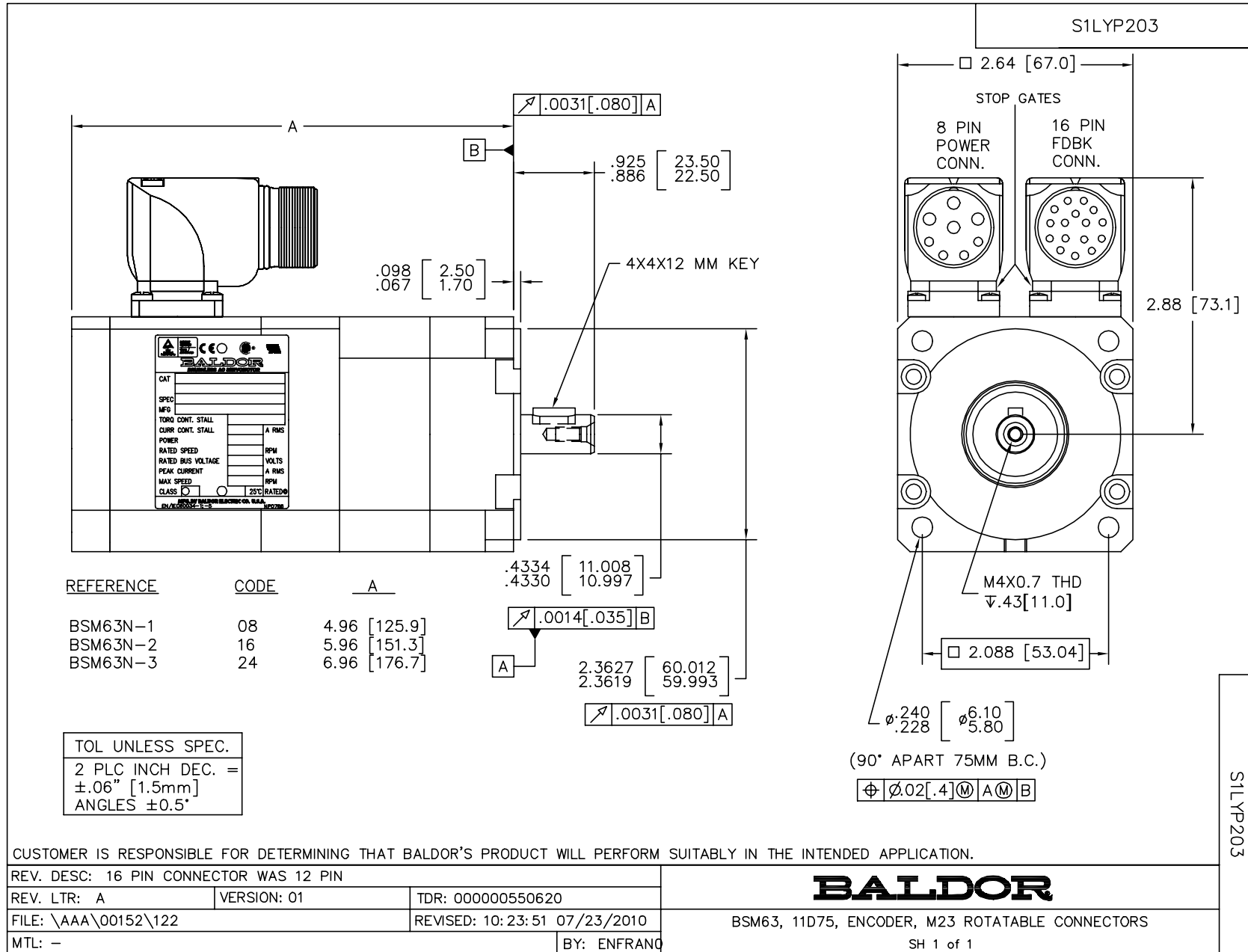
Enclosure:	TENV		
Motor Type:	S124B		
Nameplate Speed:	4000		
Agency Approvals:	CE		
	CSA		
	TUV		
	UR		
	WEEE		
Base Indicator:	Bracket Mounted		
Dimensional Drawing Numbers:	S1LYP203		
Frame:	D75D		
Frame Material:	Exposed Laminations		
Motor Lead Quantity/Wire Size:	3 @ 18 AWG		
Mounting Arrangement:	F1		
Nameplate Output:	0.64KW		
Shaft Rotation:	Reversible		
Motor Standards:	IEC		

Placa NP2859L	
CAT.NO.	BSM63N-375RF
BLANK	
SPEC.	S1P203W035
MFG.NO.	
TORQ CONT STALL	2.09 NM
CUR CONT STALL/A RMS	2.82
POWER	0.64KW
RATED SPEED/RPM	4000
RATED BUS VOLTS	300
PEAK CUR/A RMS	10.2
MAX MECH SPEED	10000
CLASS	F
AMB.	25
APRV-CE	

Lista de partes		
Núm. parte	Descripción	Cantidad
SA164631	SA S1P203W035	1.000 EA
RA153058	RA S1P203W035	1.000 EA
WD1000A33	62307-2 AMP TERM,20K/REELREPLACING A19)3	4.000 EA
RM1020A18	O-RING, -034 BUNA-N, .070 CS X 2.125 ID	1.000 EA
HW5001A44	WALDES TRUARC #N5001-112 RET.RING	1.000 EA
HW2512C01	SHAFT KEY CL 4MM X 4MM X 12MM	1.000 EA
HA7000A09	KEY RETAINER 0.438 DIA SHAFT	1.000 EA
BG6000C03	6000 D.SH,C3,POLYREX EM	1.000 EA
HW5109A00	WASHER, WAVE SPRING FOR 26MM BORE SPL SM	2.000 EA
S1EP3913B23	ENDPLATE, FR BRG, WBSM63, ENCODER, M23 C	1.000 EA
HW1027A04	METRIC EXTERNAL TOOTH LOCK WASHER M4	4.000 EA
RM1020A18	O-RING, -034 BUNA-N, .070 CS X 2.125 ID	1.000 EA
HA4021A04	1/8 NPTF-HX SOC PIPE PLUG TAPER DRY SEAL	1.000 EA
84YN0030JE006	SHCS 3MM X 6MM CARBON STEEL W/EPOXY LOCK	2.000 EA
HW1020A03	WASHER, FLAT 3MM	2.000 EA
HW1021A03	WASHER, M3 SPLIT LOCK	2.000 EA
62YW0025A007	EPOXY LOCK SCREW,M2.5X7 TORX PAN HD TAPT	1.000 EA
84YN0030J014	SCREW, M3 X 14MM SOCKET HEAD CAP	4.000 EA
WD1455A16	CONNECTOR ROTATABLE, 30A POWER, M23, 8 P	1.000 EA
WD1455A18	CONNECTOR ROTATABLE, ENCODER, M23, 16P I	1.000 EA
15YN0030S008	SCREW, M3 X 8MM PHILLIPS PAN HEAD STAINL	8.000 EA
MJ5004A05	#242-21 LOCTITE GENERAL PURPOSE MED. STR	0.001 EA
99XM0356A02	STICK SCREW, #3-56 X .125 LG. HEX (MARK	2.000 EA
MJ5004A02	P-2 FRANKLIN RESIN	0.001 GA

Lista de partes (cont.)		
Núm. parte	Descripción	Cantidad
MJ5004A03	S-C FRANKLIN ACTIVATOR THIS IS A NO CH	0.001 QT
MJ5004A27	RP 4005 RESIN, FOR ROTOR FIBERGLASS WIND	0.001 EA
MJ5004A28	REN 1500H HARDENER, FOR ROTOR FIBERGLASS	0.001 GA
ME3001A02	449S2 FIBERGLASS 20 END ROVING AA-750	0.005 LB
MG2000A17	RUST INHIBITOR PART # SRPO #20	0.001 GA
OE0323A02	ENCODER, EPC, 2500L,4 POLE, 40MM BC, CE	1.000 EA
LD6115A07	CABLE ASSY, FOR EPC & KOYO ENCODER 12"	1.000 EA
LD2200A08	CUT LEAD GREEN&YELLOW #18 8 INCH W/ RIN	1.000 EA
MG1025L02	WILKOFAS, 776.06 TEXTURE (BSM) BLACK	0.001 QT
MG1025Z09	CATALYST #060.06 WILCO	0.001 QT
MG1500Y08	PRIMER-WILKOPON (603.08A)YELLOW PRIMER W	0.001 QT
MG1025Z08	WILKO 603.08B PRIMER REDUCER TDR# 72361	0.001 QT
S1CB3503A10	COVER, FEEDBACK, BSM63, NO LOGO, GRAY	1.000 EA
HA3173A11	THRU-BOLT FILLISTER HEAD 6-32 X 4.000	4.000 EA
HA3117A06	THRU BOLT HEX-HEAD 125MM M4 X 0.7	4.000 EA
NP2859L	NAMEPLATE BSM50/63 ALUM, LASER ETCHED	1.000 EA
25PA1008	PKG GRP, BSM 50, 63, & 80	1.000 EA
LB1534	MYLAR CE WARNING LABEL FOR SERVO MOTORS	1.000 EA

No performance data has been
assigned to this product.



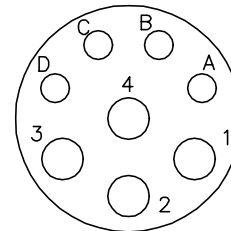
CD1297A04

MOTOR CONNECTIONS

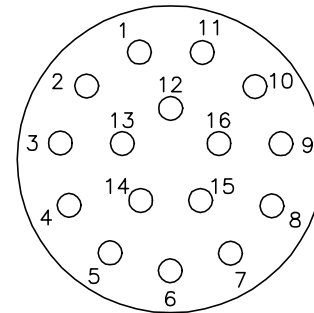
PIN	FUNCTION	INTERNAL WIRE COLOR
A	*THERMAL SWITCH	YELLOW
B	*THERMAL SWITCH	YELLOW
C	*BRAKE	BLACK
D	*BRAKE	BLACK
1	U	BLACK
2	GROUND	GREEN
3	W	BLUE
4	V	RED

*WHEN REQUIRED

PIN	FUNCTION	WIRE COLOR
1	DC+5V	RED/BLUE
2	GROUND	BLUE/RED
3	CHANNEL A	BLUE
4	CHANNEL \bar{A}	ORANGE
5	CHANNEL B	GREEN
6	CHANNEL \bar{B}	BROWN
7	CHANNEL Z	BLACK
8	CHANNEL \bar{Z}	YELLOW
9	OPEN	---
10	CHANNEL U	WHITE/BROWN
11	CHANNEL \bar{U}	BROWN/WHITE
12	CHANNEL V	WHITE/GRAY
13	CHANNEL \bar{V}	GRAY/WHITE
14	CHANNEL W	RED/ORANGE
15	CHANNEL \bar{W}	ORANGE/RED
16	OPEN	---



8 PIN MOTOR CONNECTOR
THREADED CRIMP PIN STYLE



16 PIN CONNECTOR
THREADED CRIMP PIN STYLE

16- #20 CONTACT SIZE
(CRIMP SIDE)

REV. DESC: NEW

REV. LTR: - BY: FN REVISED: 13:58:58 03/24/2004 TDR: 328266

CD1297A04

FILE: AAA00115154

REF: CD1297A04

MTL: -

BALDOR ELECTRIC Co.

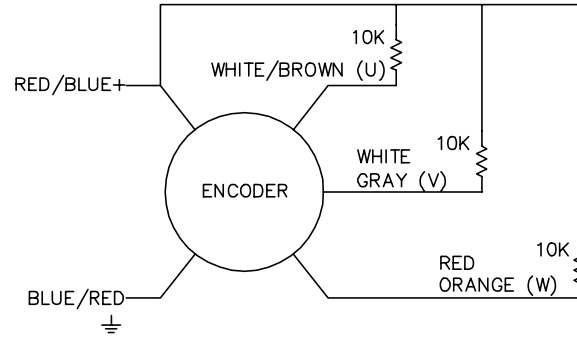
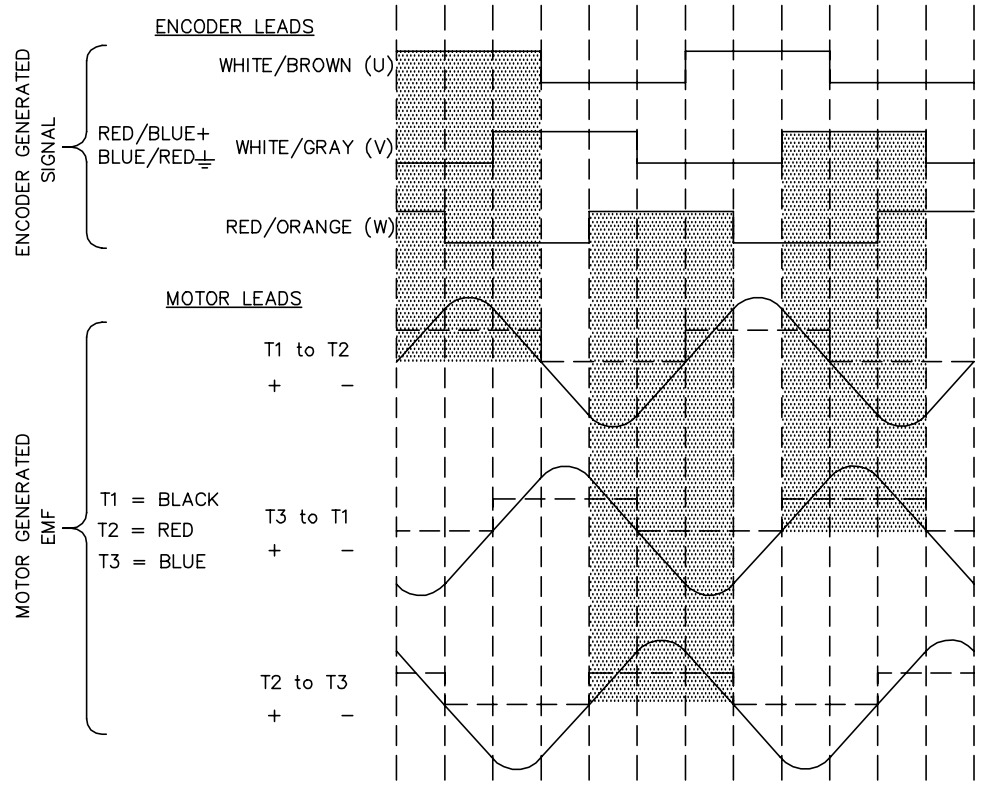
KOYO ENCODER (CHANNELS TO MATCH TMGW/SUMTAK OUTPUT)

CD1297A04

CD1338A01

BRUSHLESS D.C. COMMUTATION

8 POLE MECHANICAL DEGREES	0	15	30	45	60	75	90	105	120	135	150	165	180
4 POLE MECHANICAL DEGREES	0	30	60	90	120	150	180	210	240	270	300	330	360
ELECTRICAL DEGREES	0	60	120	180	240	300	360	420	480	540	600	660	720



NOTE:
CCW ROTATION VIEWING
MOTOR SHAFT END

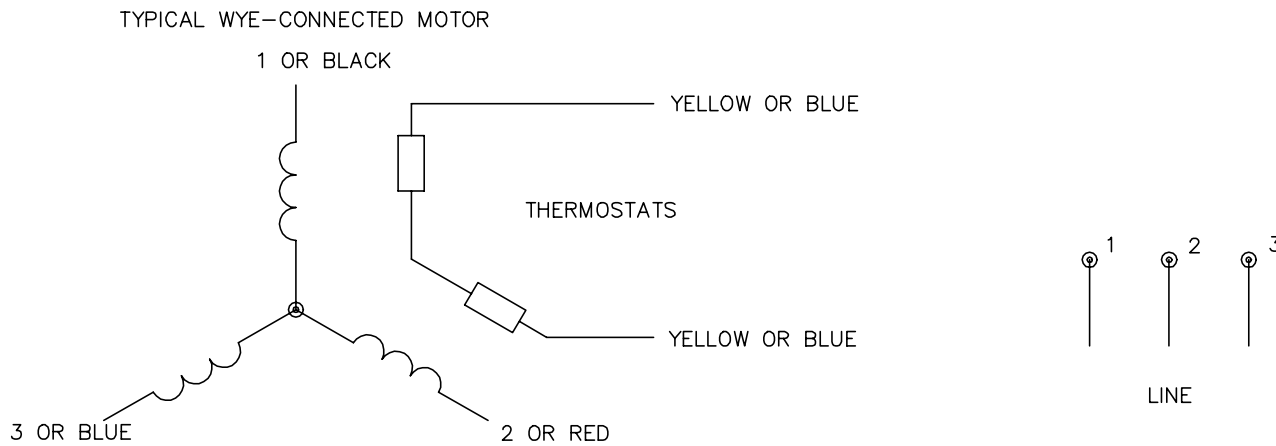
CD1338A01

REV. DESC: NEW		REVISED: 11:22:25 03/24/2004		TDR: 328266
REV. LTR: -	BY: FN	FILE: AAA00115153	REF: CD1338A01	
10V8331CG CD1338A01		MTL: -		

BALDOR ELECTRIC Co.

BLDC COMMUTATION KOYO ENC.(CHANNELS TO MATCH TMGW/SUMTAK)

CD0006A02



NOTES:

1. INTERCHANGE ANY TWO LINE LEADS TO REVERSE ROTATION.
2. ACTUAL NUMBER OF INTERNAL PARALLEL CIRCUITS MAY VARY.

REV. DESC: REMOVED "OPTIONAL" FROM PRINT, SERVO REQ'S T'STATS			
REV. LTR: D	VERSION: 03	TDR: 000000414937	
Z0V9000003 CD0006A02	FILE: \AAA\00068\606	REVISED: 10:02:28 11/21/2006	
	MTL: -	BY: ENJFDO	

BALDOR ELECTRIC Co.

3PH, SV, 3 LEADS, WYE CONNECTED

CD0006A02