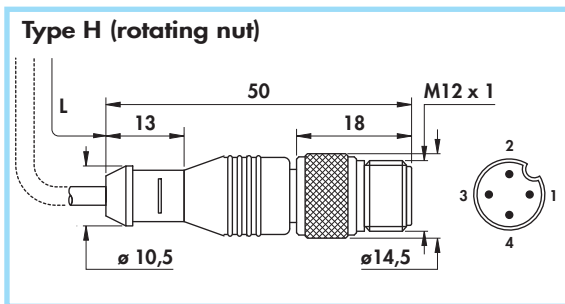
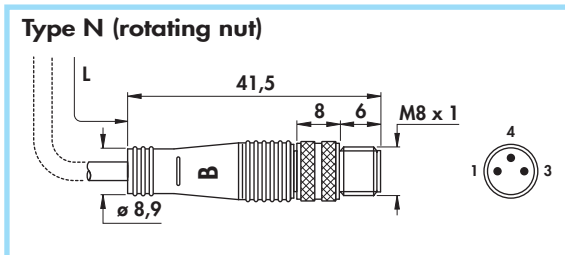
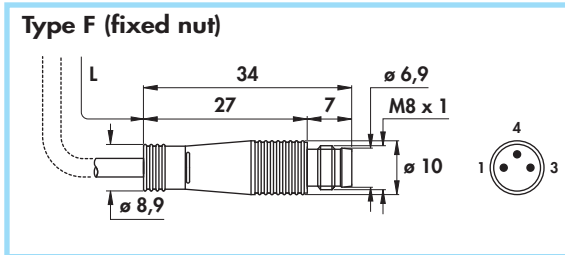
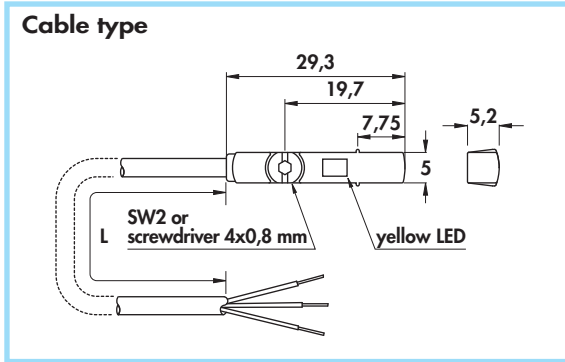


Amplified in d.c. 3-wire with LED •
 For pneumatic cylinders with T slot •
 Drop-in mounting •
 Cable and connector output M8 x 1 or M12 x 1 •



General Features:

These sensors are completely electronic and detect the position of the magnetic ring inside a standard pneumatic cylinder with a T slot. The sensor remains completely recessed and thus mechanically protected. A clip to fix the cable inside the slot is supplied with the sensor. Main advantages of static output sensors are unlimited electric life, protection against short circuit and line transients, high switching frequency and no contact bounce. Version with output holding function available on request. A yellow LED gives indication of the output status. Available with cable exit, M8x1 connector or M12x1 connector.

Technical data:

- Supply voltage (U_B): 10 ÷ 30 Vdc
- No-load supply current (I₀): < 10 mA
- Temperature range: -25 ÷ + 85° C
- Degree of protection: IP67
- Switch status indicator: yellow LED
- Cable conductor cross section: 0,15 mm²
- Electromagnetic compatibility (EMC) according to EN60947-5-2
- Protected against short circuit, overload and connection mistakes
- Shock and vibration resistance according to EN60068-2-27 EN60068-2-6



Materials:

- Cable: BMT... PVC CEI 20-22 II; 90°C; 300V
- BMT...F; BMT...N; BMT...H; BMT...R PUR VDE 0492/265 90°C
- Sensor and fixing clip: plastic
- Rotating nut and fixing screw (*): nickel plated brass

(*) Stainless steel fixing screw available on request

Connection type	Female connector (see page H - 1)	Cable diameter	Cable length (L)	Max ripple	Max switching frequency (f)	Rated operational current (I _e)	ORDERING REFERENCES	
							PNP (positive switching)	
cable	-	3	2	10	10	200	 BMT209	 BMT219
F	11-12	3	0,3	10	10	200	BMT209F	BMT219F
N	11-12	3	0,3	10	10	200	BMT209N	BMT219N
H	8B-10	3	0,3	10	10	200	BMT209H	BMT219H

Note:
 - different cable lengths must be specified at the end of the code.
 Ex: BMT209F1 for 1m of cable with connector.
 - for PUR cable add letter R at the end of the code.
 Ex: BMT209R for 2m of PUR cable.

NPN (negative switching)
 Use the above mentioned part number changing the last number 9 with 8 (ie. BMT208)

--	--