



DESCRIPTION

Hedland EZ-View[®] flow meters are direct-reading, variable area flow meters that provide instantaneous flow rate measurement without the use of electronics. Constructed with high-impact polysulfone, these flow meters are an industrial class metering solution that maintains structural integrity and is compatible with a wide range of industrial chemicals. Additionally, the transparent, polysulfone plastic body allows visual inspection of fluid condition, useful for preventative maintenance programs and system diagnostics. These flow meters contain a minimum number of moving parts, resulting in a reliable and trouble-free flow rate indicator.

FEATURES

- Special piping or flow straighteners are not required
- Installs in any position
- No electronics needed for flow indication
- Direct reading
- Easy-to-read linear scale
- Special scales available
- Calibrated for 1.0 or 0.876 Specific Gravity

OPERATING PRINCIPLE

A Hedland variable area flow meter is a piston-type flow meter, which on a basic level, consists of a piston, a contoured metering cone and a calibrated flow spring. Traditional designs (referred to as rotameters) are also variable area flow meters, consisting of a float within a tapered metering tube. Unlike a traditional rotameter, Hedland flow meters can be mounted in any orientation without sacrificing measurement performance.

A sharp-edged orifice is located within the piston assembly and forms an annular opening with a contoured metering cone. A calibrated spring holds the piston in a no-flow position at the base of the cone. During a flow condition, pressure increases across the orifice, causing the piston assembly to move precisely in direct response to changing flow rates. Flow rate is determined by viewing the indicator ring mounted on the piston, relative to a printed flow scale affixed to the flow meter body.

MATERIALS OF CONSTRUCTION

Body, Piston and Cone*	Polysulfone
Spring*	302 Stainless Steel
Flow Indicator*	Red Silicone O-Ring
Fittings*	RoHS Compliant Brass or PVC
Fitting O-Rings*	Buna-N (Nitrile)
Limit Indicators	Polypropylene

*Indicates wetted material

NOTE: For material compatibility and data sheets, consult factory.



FITTINGS/THREADS COMPLIANCE

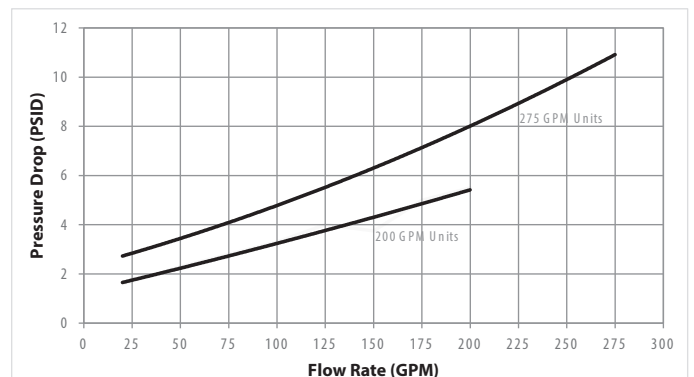
NPTF Dryseal (Female)	ANSI/ASME B1.20.1
BSPP (Female)	ISO 228
BSPT (Female)	ISO R7

SPECIFICATIONS

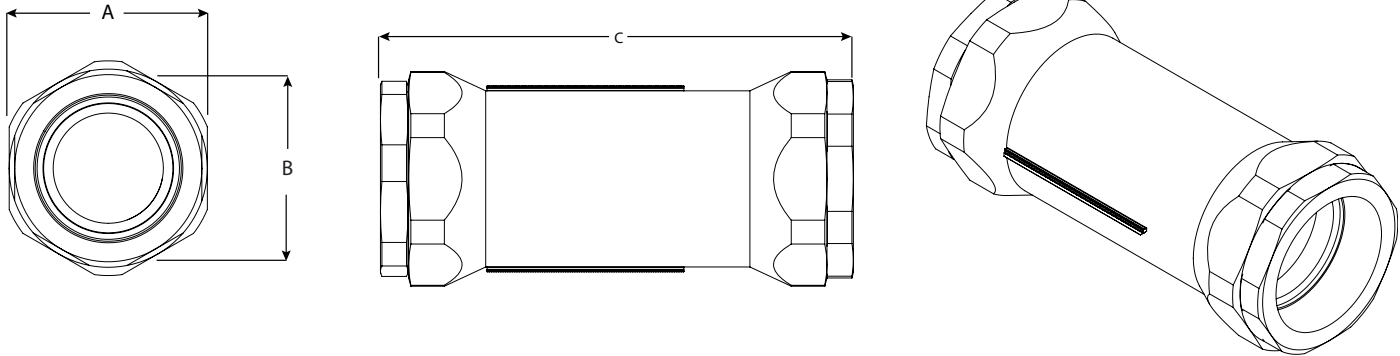
Accuracy	±5% of Full Scale
Repeatability	±1%
Temperature Range	32...250° F (0...121° C)*
Pressure Rating	325 PSI (22.4 BAR) Max.*

*PVC fittings have a temperature range of 32...140° F (0...60° C) and pressure ratings per PVC system specification.

PRESSURE DROP



DIMENSIONS



Size and Type	A Body Flats in. (mm)	B Fitting Flats in. (mm)	C Lay Length in. (mm)
H915 and H916 (2-1/2 in. NPTF and BSPP)	4.50 (114.30)	4.25 (107.95)	10.5 (266.70)
H917 and H918 (3 in. NPTF and BSPT)	4.50 (114.30)	4.25 (107.95)	10.5 (266.70)
H919 (3 in. Socket Weld)	4.50 (114.30)	Contact Factory	Contact Factory

PART NUMBER CONSTRUCTION

Hedland Flow Meters

EZ-View®



NOMINAL PORT SIZE & TYPE

2-1/2 in. NPTF (Female), Brass Fitting	915
2-1/2 in. BSPP (Female), Brass Fitting**	916
3 in. NPTF (Female), Brass Fitting	917
3 in. BSPT (Female), Brass Fitting**	918
3 in. Socket Weld, PVC Fitting**	919

FLUID MEDIA

Water (1.0 S.G.)	0
Oil (0.876 S.G.)	1

FLOW RANGE / SCALE

20.0...200 US GPM / 75.0...760 LPM	20
25.0...275 US GPM / 95...1000 LPM	27

RESERVED

Reserved	R
----------	---

** Consult factory for pricing and delivery estimates

Control. Manage. Optimize.

Hedland is a registered trademark of Badger Meter, Inc. Other trademarks appearing in this document are the property of their respective entities. Due to continuous research, product improvements and enhancements, Badger Meter reserves the right to change product or system specifications without notice, except to the extent an outstanding contractual obligation exists. © 2019 Badger Meter, Inc. All rights reserved.

www.badgermeter.com

The Americas | Badger Meter | 4545 West Brown Deer Rd | PO Box 245036 | Milwaukee, WI 53224-9536 | 800-876-3837 | 414-355-0400
 México | Badger Meter de las Americas, S.A. de C.V. | Pedro Luis Ogazón N°32 | Esq. Angelina N°24 | Colonia Guadalupe Inn | CP 01050 | México, DF | México | +52-55-5662-0882
 Europe, Eastern Europe Branch Office (for Poland, Latvia, Lithuania, Estonia, Ukraine, Belarus) | Badger Meter Europe | ul. Korfantego 6 | 44-193 Knurów | Poland | +48-32-236-8787
 Europe, Middle East and Africa | Badger Meter Europa GmbH | Nurtlinger Str 76 | 72639 Neuffen | Germany | +49-7025-9208-0
 Europe, Middle East Branch Office | Badger Meter Europe | PO Box 341442 | Dubai Silicon Oasis, Head Quarter Building, Wing C, Office #C209 | Dubai / UAE | +971-4-371 2503
 Slovakia | Badger Meter Slovakia s.r.o. | Racianska 109/B | 831 02 Bratislava, Slovakia | +421-2-44 63 83 01
 Asia Pacific | Badger Meter | 80 Marine Parade Rd | 19-07 Parkway Parade | Singapore 449269 | +65-63464836
 Switzerland | Badger Meter Swiss AG | Mittelholzerstrasse 8 | 3006 Bern | Switzerland | +41-31-932 01 11