

## IN40012W

### INDUCTIVE SENSORS • ENLARGED AMBIENT TEMPERATURE

Inductive proximity switches are contact-free sensors. They detect all conductive metals, regardless of whether they move or not. The achievable sensing range of the devices depends on the object material and its dimensions. The vibration-resistant sensors can be approached laterally or frontally. Inductive proximity switches are used for presence detection (e.g. goods carriers), positioning (e.g. dampers), counting (e.g. nuts /bolts), speed detection (e.g. for cog wheels), on conveyor systems (e.g. hose feedings) or distance measurements (e.g. press-in checking) of metallic objects.



#### MECHANICAL DATA

Active area material of sensor	Vectra®
Ambient temperature (MAX)	150 °C
Degree of protection (IP)	IP65
Housing design	Cuboid
Housing design	EV009378
Housing material	IV000115
Housing material	Stainless steel 1.4305
Increased ambient temperatures > 80°C	Yes
Mechanical mounting condition for sensor	Non-flush
Pressure-proof	No
Sensor height	40 mm
Sensor length	70 mm
Sensor width	40 mm

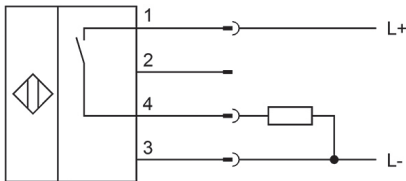
#### ELECTRICAL DATA

Cascadable	No
Correction factor (aluminum)	0.3
Correction factor (brass)	0.4
Correction factor (copper)	0.2
Correction factor (St37)	1
Correction factor (stainl. steel)	0.7
Hysteresis	15 %
Max. output current	150 mA
No-load current	15 mA
Rated control supply voltage Us at DC	10 V ... 35 V
Reverse polarity protection	Yes
Short-circuit protection	Yes
Suitable for safety functions	No
Supply voltage	10 V ... 35 V
Switching distance	25 mm
Switching frequency	100 Hz

## ELECTRICAL DATA

Type of electrical connection	Connector M12
Type of electrical connection	EV006702
Type of switching function	Normally open contact
Type of switching function	EV000145
Type of switching output	PNP
Voltage drop	2 V
Voltage type	DC
With monitoring function of downstream devices	No

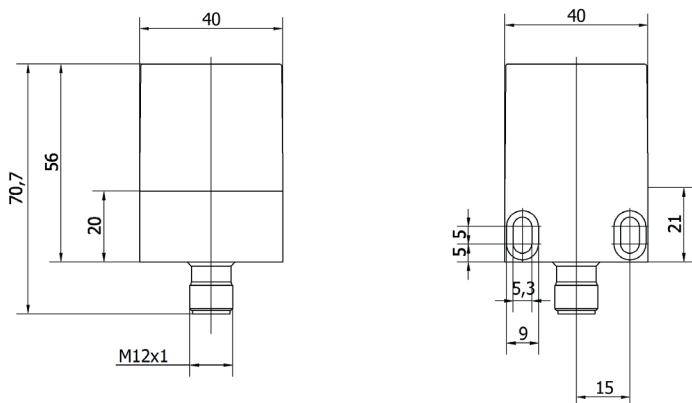
## CONNECTION



**Colors:** 1 = BN (brown), 2 = WH (white), 3 = BU (blue), 4 = BK (black)

**Functions:** 1 = L+, 2 = n. c., 3 = L-, 4 = PNP NO

## DIMENSIONAL DRAWING



## INSTALLATION



Mounting / Installation may only be carried out by a qualified electrician!

## DISPOSAL



## SAFETY WARNINGS

Before initial operation, please make sure to follow all safety instructions that may be provided in the product information!

Never use these devices in applications where the safety of a person depends on their functionality.