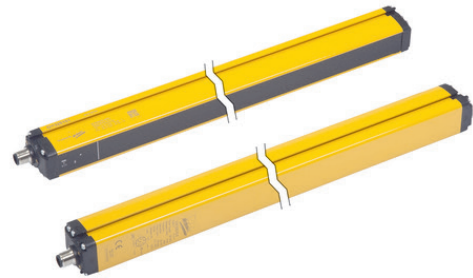


OY320105

SAFETY SYSTEMS • LIGHT CURTAINS - HAND PROTECTION

light curtain, 37x983x32mm, field height 900, resolution 30mm, Sn: 0.3-19m, 24V DC, PNP NO (NO), 500mA, Connector M12 8pin/4pin, IP65, Aluminium painted+PMMA, safety



MECHANICAL FEATURES

Ambient temperature	0 °C ... 55 °C
Degree of protection (IP)	IP65
Housing material	Aluminum painted
Material of optical surface	PMMA
Protected field height	900 mm
Sensor height	36.9 mm
Sensor length	983.2 mm
Sensor width	32.3 mm

ELECTRICAL FEATURES

Cascadable	-
Clock control possible	-
Equipment protection class	Protection class 3
Max. output current at safe output	500 mA
No-load current, receiver	150 mA
No-load current, transmitter	105 mA
Number of pins, receiver	8
Number of pins, transmitter	4
Number of safe semiconductor outputs	2
Override possible	-
Rated control supply voltage U_s at DC	24 V ... 24 V
Reaction time	18 ms
Reverse polarity protection	+
Short-circuit protection	+
Suitable for safety functions	+
Suppression possible	-
Switching output type of the OSSD	PNP
Switching voltage of OSSD at state "high"	24 V
Type of electrical connection	Connector M12
Type of switching function	Normally open contact (NO)
Voltage type	DC
With LED display (7 segment)	+
With monitoring function of downstream devices	+

ELECTRICAL FEATURES

With muting function	-
With restart lock	+

OPTICAL FEATURES

Detection capability for samples	30 mm
Protected field range	19 m
Wavelength of the sensor	950 nm
Resolution of the light curtain	30 mm
Number of beams	48
Min. distance	0.3 m
Hand protection (< 30mm)	+

OTHER FEATURES

Air humidity	15 % ... 95 %
Explosion safety category for dust	None
Explosion safety category for gas	None
Safety category	Category 4
Safety type in acc. with IEC 61496-1	4
Scope of delivery of the one-way system	Transmitter and receiver
With beam coding	+

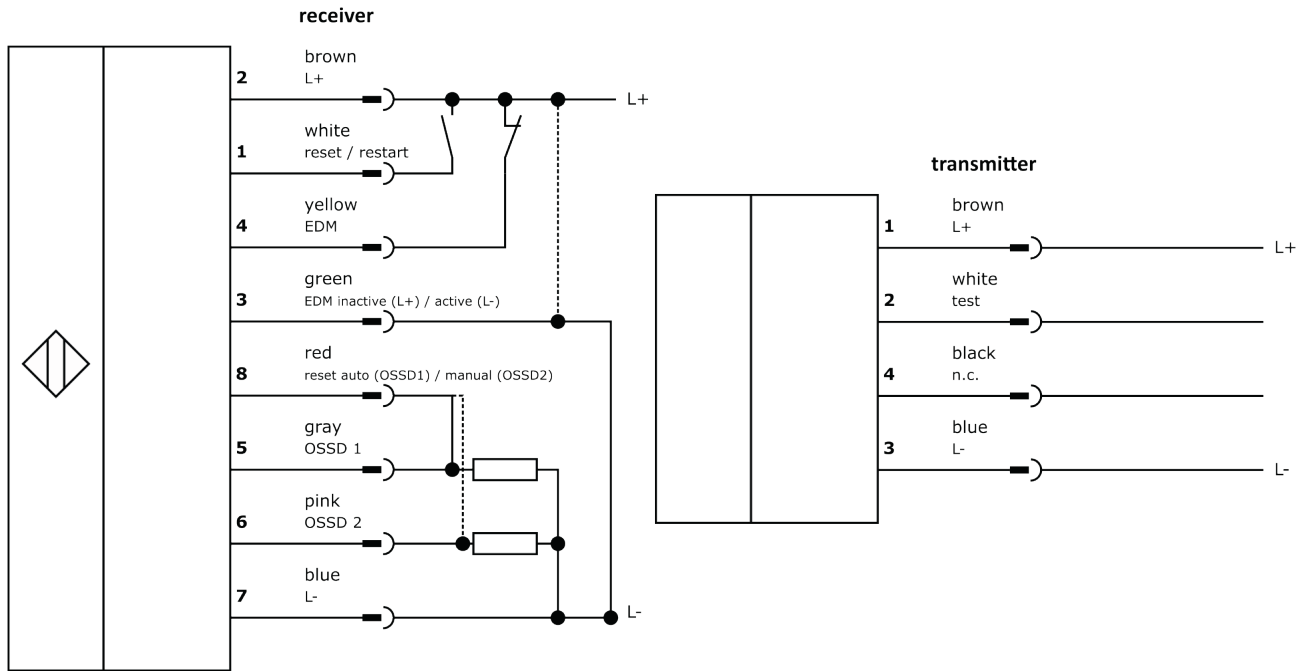
Other

Packaging dimensions	180mm x 100mm x 1130mm
Shipping weight	4.5kg
Tariff code	85365019

Classification

ipf product group	710
eClass 8.0	27270910
eClass 9.0	27270910
eClass 9.1	27270910
ETIM-5.0	EC002549
ETIM-6.0	EC002549
ETIM-7.0	EC002549

Connection



Dimensional drawing

Installation



Mounting / installation may only be carried out by a qualified electrician!

Disposal



Software

Any software, drivers or IODD files that may be required to operate your device can be downloaded free of charge from our homepage: www.ipf-electronic.com

Safety warnings

Before initial operation, please make sure to follow all safety instructions that may be provided in the product information. Never use these devices in applications where the safety of a person depends on their functionality. LED lighting systems can generate intensive UV radiation, which can damage your eyes in case of improper use. The manufacturer cannot be held responsible for damages that result from improper use or connection.