

PRODUCT cylinder sensor

DESIGN MZ07 "T – groove"
MZR4 "C – groove"



- ✓ robust metal housing
- ✓ easy mounting
- ✓ high sampling frequency at low hysteresis
- ✓ LED display
- ✓ integrated amplifier
- ✓ high sampling frequency
- ✓ 2 years warranty

**value for money,
electronic microsensors**

technical data

current consumption (w/o load)	< 15mA
voltage drop (max. load)	< 2V DC
operating voltage	10 ... 30V DC
current carrying capacity	200mA
sampling frequency	1kHz
repeatability	± 0.1mm
switching output	pnp, no
system of protection (EN 60529)	IP67
ambient temperature	-25 ... +70 °C
housing material	see list of articles
connection	see list of articles

article-no.	design	housing	connection	mounting	fig.
MZ0721A4	6.2x6.3x30	Zn	2m PUR cable	T-groove, lateral	(1)
MZ072124	6.2x6.3x30	Zn	cable/M12-connector	T-groove, lateral	(1)
MZ072174	6.2x6.3x30	Zn	cable/M8-connector	T-groove, lateral	1
MZ072175	9.6x16x22	aluminium	M8-connector	T-groove, lateral	2
MZ072173	10.2x16x25	aluminium	M8-connector	T-groove, from above	3
MZ072176	5x4.6x18	aluminium	cable/M8-connector	T-groove, from above	4
MZR421A8	Ø3.6, 20.5 long	stainless steel	2m PUR cable	C-groove, lateral	5
MZR42178	Ø3.6, 20.5 long	stainless steel	cable/M8-connector	C-groove, lateral	6

We will be pleased to supply the matching cable socket for your devices with connector. Please refer to the list in catalog chapter "accessories" under "cable sockets **ipf-SENSORFLEX®**" or search our website for "VK".

fig.1 (connector M8, MZ072174)
(connector M12, MZ072124)

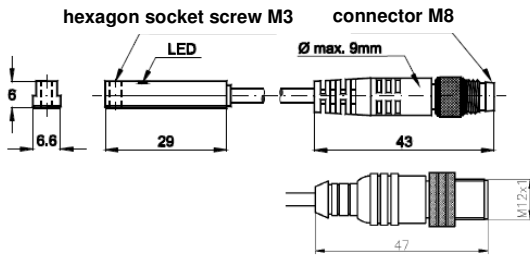


fig.2

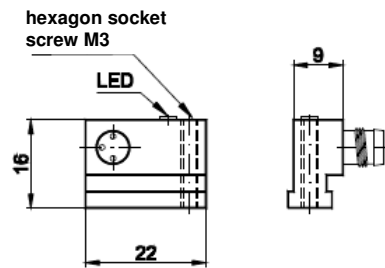


fig.3

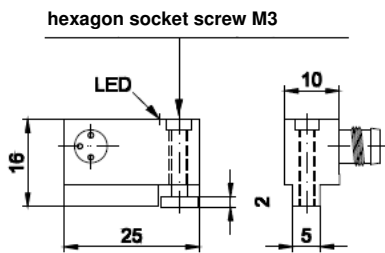


fig.4

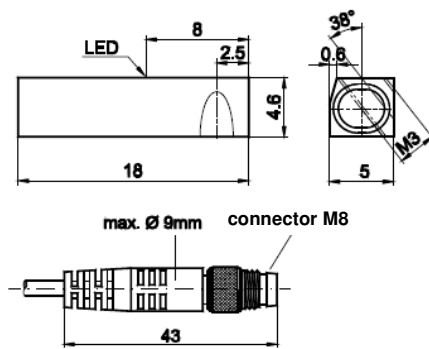


fig.5

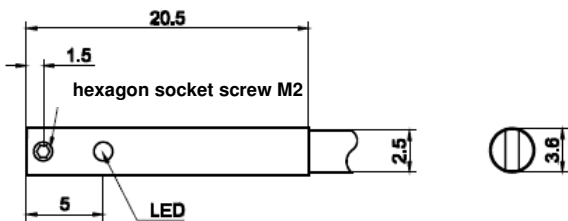
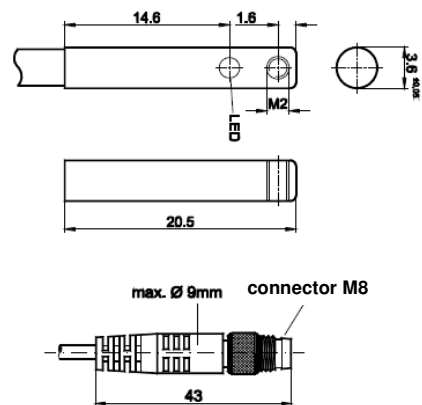
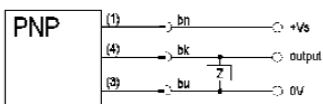


fig.6



connection



wire colors: bn = brown (1), bu = blue (3), bk = black (4)

Warning: Never use these devices in applications where the safety of a person depends on their functionality!